

DH-IPC-HFW2200(-B)

Full HD Network IR-Bullet Camera



Features

- 1/3" 3Megapixel progressive scan CMOS
- H.264&MJPEG dual-stream encoding
- Max 25/30fps@1080P(1920×1080)/720P(1280×720)
- Day/Night(ICR), 2DNR,AWB,AGC,BLC
- Multiple network monitoring: Web viewer, CMS(DSS/PSS) & DMSS
- 3.6mm fixed lens (6mm optional)
- Max. IR LEDs Length 30m
- IP66, DC12V, PoE

DH-IPC-HFW2200(-B)

Technical Specifications

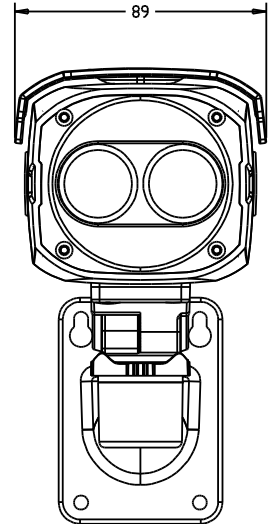
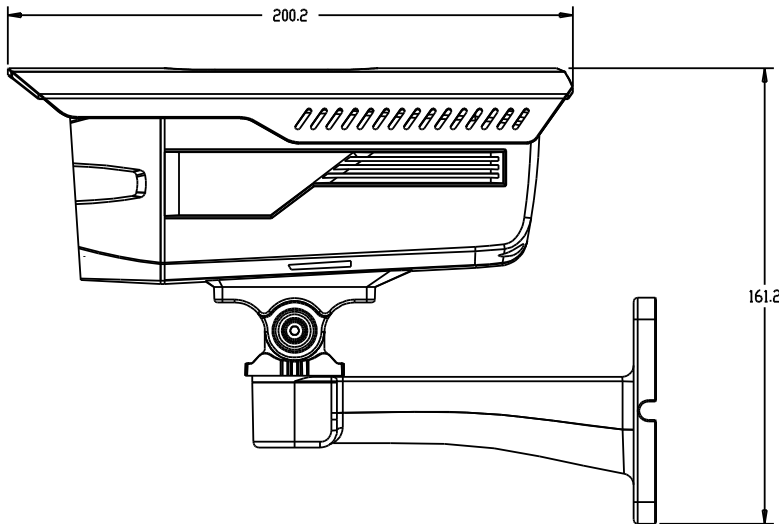
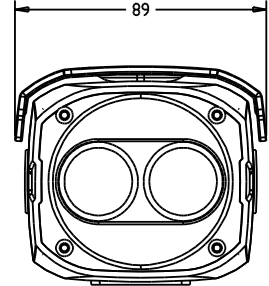
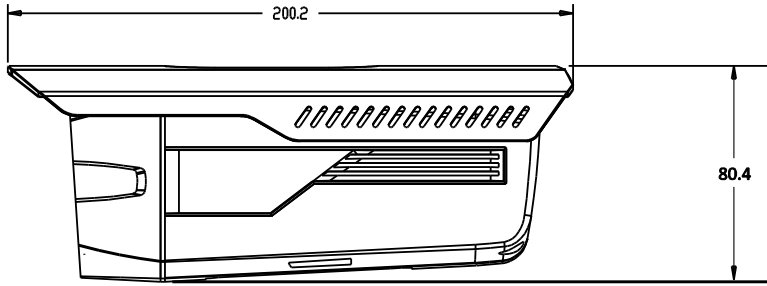
Model	DH-IPC-HFW2200		DH-IPC-HFW2200-B
Camera			
Image Sensor	1/3" 3Megapixel progressive scan CMOS		
Effective Pixels	2048(H)×1536(V)		
Scanning System	Progressive		
Electronic Shutter Speed	Auto/Manual, 1/3(4)~1/10000s		
Min. Illumination	0. 1Lux/F1.6 (Color) ;0Lux/F1.6(IR on)		
S/N Ratio	More than 50dB		
Video Output	N/A		
Camera Features			
Max. IR LEDs Length	30m		
Day/Night	Auto(ICR)/Color/B/W		
Backlight Compensation	BLC/ HLC		
White Balance	Auto/Manual		
Gain Control	Auto/Manual		
Noise Reduction	2D		
Privacy Masking	Up to 4 areas		
Lens			
Focal Length	3.6mm (6mm optional)		
Max Aperture	F1.6		
Focus Control	Manual		
Angle of View	H: 71.9°(45.3°)		
Lens Type	Fixed lens		
Mount Type	Board-in Type		
Video			
Compression	H.264/MJPEG		
Resolution	1080P(1920×1080)/720P(1280×720)/D1(704×576/704×480)/CIF(352×288/352×240)		
Frame Rate	Main Stream	1080P/720P(1 ~ 25/30fps)	
	Sub Stream	D1/CIF(1~25/30fps)	
Bit Rate	H.264: 16K ~ 8192Kbps		
Audio			
Compression	N/A		
Interface	N/A		
Network			
Ethernet	RJ-45 (10/100Base-T)		
Wi-Fi	N/A		
Protocol	IPv4/IPv6, HTTP, HTTPS, SSL, TCP/IP, UDP, UPnP, ICMP, IGMP, SNMP, RTSP, RTP, SMTP, NTP, DHCP, DNS, PPPOE, DDNS, FTP, IP Filter, QoS, Bonjour,		
ONVIF	ONVIF Profile S		
Max. User Access	20 users		

DH-IPC-HFW2200(-B)

Smart Phone	iPhone, iPad, Android, Windows Phone	
Auxiliary Interface		
Memory Slot	N/A	
RS485	N/A	
Alarm	N/A	
PIR Sensor Range	N/A	
General		
Power Supply	DC12V,PoE (802.3af)	
Power Consumption	<5W	
Working Environment	-30°C~ +60°C, Less than 95% RH	
Ingress Protection	IP66	
Vandal Resistance	N/A	
Dimensions	200.2mm×89.1mm×80.4mm	200.2mm x 89.1mm x 161.2mm
Weight	0.45Kg	0.58Kg
Others	N/A	Default: bracket included

DH-IPC-HFW2200(-B)

Dimensions (mm)



Accessories (optional)



DH-IPC-HFW2200(-B)

Dahua Technology Co., Ltd.

1199 BinAn Road, Binjiang District, Hangzhou, China

Tel: +86-571-87688883

Fax: +86-571-87688815

Email: overseas@dahuatech.com

www.dahuatech.com

*Design and specifications are subject to change without notice.

© 2014 Dahua Technology Co., Ltd.