

# DH-SD42212I-HC

2MP 12x PTZ HDCVI Camera



- 1/2.8" 2Megapixel Exmor CMOS
- Powerful 12x optical zoom
- Max. 25/30fps@1080P
- DWDR, 3D DNR
- IP66, IK10



## System Overview

Featuring with powerful optical zoom and accurate pan/tilt/zoom performance, the SD42 series PTZ camera can provide large monitoring range and great detail. The camera delivers 1080P resolution at 25/30 fps, with 12x optical zoom. SD42 series PTZ is equipped with quick and smooth control, high quality image and good protection, which make it can meet most of the requirements of video surveillance applications.

## Functions

### Simplicity

HDCVI technology inherits the born feature of simplicity from traditional analog surveillance system, making itself a best choice for investment protection. HDCVI system can seamlessly upgrade the traditional analog system without replacing existing coaxial cabling. The plug and play approach enables full HD video surveillance without the hassle of configuring a network.

### Environmental

With a temperature range of -30 °C to +60 °C (-22 °F to +140°F), the camera is designed for extreme temperature environments. The camera complies to an IK10 impact rating making it capable of withstanding the equivalent of 55 kg (120 lbs) of force. Subjected and certified to rigorous dust and water immersion tests, the IP66 rating makes it suitable for demanding outdoor applications.

### Technical Specification

#### Camera

Image Sensor	1/2.8" Exmor CMOS
Effective Pixels	1920(H) x 1080(V), 2 Megapixels
Scanning System	Progressive
Electronic Shutter Speed	1/3s~1/300,000s
Minimum Illumination	Color: 0.05Lux@F1.6; B/W:0.005Lux@F1.6
S/N Ratio	More than 50dB
IR Distance	N/A
IR On/Off Control	N/A
IR LEDs	N/A

#### Lens

Focal Length	5.1mm~61.2mm
Max. Aperture	F1.6 ~ F3.0
Angle of View	H: 51.3° ~ 4.6°
Optical Zoom	12x
Focus Control	Auto/Manual
Close Focus Distance	100mm~ 1000mm

#### PTZ

Pan/Tilt Range	Pan: 0° ~ 360° endless; Tilt: -2° ~ 90°, auto flip 180°
Manual Control Speed	Pan: 0.1° ~ 300° /s; Tilt: 0.1° ~ 120° /s
Preset Speed	Pan: 300° /s; Tilt: 200° /s
Presets	300
PTZ Mode	5 Pattern, 8 Tour, Auto Pan ,Auto Scan
Speed Setup	Human-oriented focal Length/ speed adaptation
Power up Action	Auto restore to previous PTZ and lens status after power failure
Idle Motion	Activate Preset/ Scan/ Tour/ Pattern if there is no command in the specified period
Protocol	DH-SD, Pelco-P/D (Auto recognition)

#### Video

Resolution	1080P(1920x1080)/720P(1280x720)
Frame Rate	25/30fps@1080P/720P
Video Output	1-channel BNC HDCVI high definition video output/ CVBS standard definition video output (switchable)
Day/Night	Auto(ICR) / Color / B/W
OSD Menu	Support
Backlight Compensation	BLC / HLC / DWDR
White Balance	Auto,ATW,Indoor,Outdoor,Manual
Gain Control	Auto / Manual
Noise Reduction	Ultra DNR (2D/3D)

Digital Zoom	16x
Flip	180°
Privacy Masking	Up to 24 areas

#### Audio

Compression	G.711a/G.711u(32kbps)/PCM(128kbps)
-------------	------------------------------------

#### Certifications

Certifications	CE: EN55032/EN55024/EN50130-4 FCC: Part15 subpartB,ANSI C63.4- 2014 UL: UL60950-1+CAN/CSA C22.2, No.60950-1
----------------	---

#### Interface

Video Interface	1
Audio Interface	1/1
RS485	1
Alarm	2/1

#### Electrical

Power Supply	AC24V/1.5A(±10%)
Power Consumption	10W

#### Environmental

Operating Conditions	-30°C ~ 60°C (-22°F ~ +140°F) / Less than 90% RH
Ingress Protection	IP66
Vandal Resistance	IK10

#### Construction

Casing	Metal
Dimensions	Φ198(mm)x158(mm)
Net Weight	1.8kg(3.97lb)
Gross Weight	3.3kg(7.28lb)

Ordering Information		
Type	Part Number	Description
2MP PTZ Camera	DH-SD42212I-HC	2MP 12x PTZ HDCVI Camera, PAL
	DH-SD42212IN-HC	2MP 12x PTZ HDCVI Camera, NTSC
	SD42212I-HC	2MP 12x PTZ HDCVI Camera, PAL
	SD42212IN-HC	2MP 12x PTZ HDCVI Camera, NTSC
Accessories	PFB302S	Wall Mount
	PFA102	Mount Adapter
	AC24V/1.5A	Power Supply
	PFB300C	Ceiling Mount
	PFA150	Pole Mount
	PFA151	Corner Mount

**Accessories**

Included:



PFB302S  
Wall Mount



PFA102  
Mount Adapter



AC24V/1.5A  
Power Supply

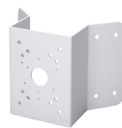
Optional:



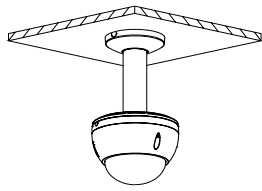
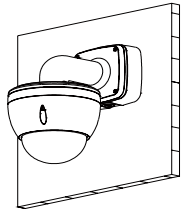
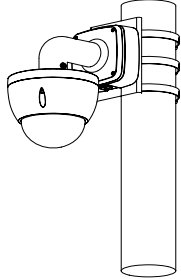
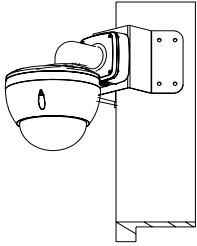
PFB300C  
Ceiling Mount



PFA150  
Pole Mount



PFA151  
Corner Mount

Ceiling Mount	Junction Mount
PFA102 + PFB300C	PFA102 + PFB302S + PFA120
	
Pole Mount	Corner Mount
PFA102 + PFB302S + PFA150	PFA102 + PFB302S + PFA151
	

**Dimensions (mm)**

